

ESP32-S2 MINI

PINOUT

V1.0.0

3.3V | 27 I/O PINS | 240MHZ | 4M FLASH | 2M PSRAM

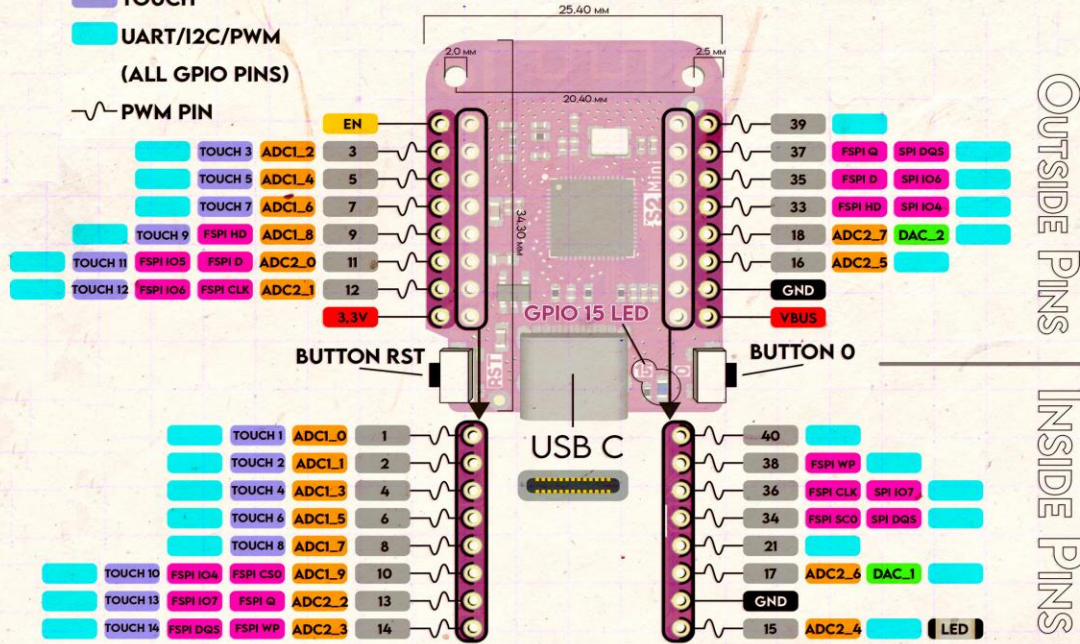
- GPIO
- ADC
- DAC
- SPI
- TOUCH
- UART/I2C/PWM
- (ALL GPIO PINS)
- PWM PIN

OPTIMAL ADC USE
 ADCs WORK BEST WITH AN EXTERNAL 100 nF CAPACITOR AND AT VOLTAGES BELOW 2.450V.

DEVICE FIRMWARE UPGRADE (DFU) MODE

- HOLD BUTTON 0
- SHORT-PRESS BUTTON RST
- RELEASE BUTTON 0

YOU SHOULD HEAR THE USB CONNECT SOUND FROM YOUR COMPUTER.



OUTSIDE PINS

INSIDE PINS

CHART MADE FOR
 OPROSTHETICS.ORG

9-23-2022
 VER 1 REV 5

ESP32-S2 MINI

PINOUT

V1.0.0

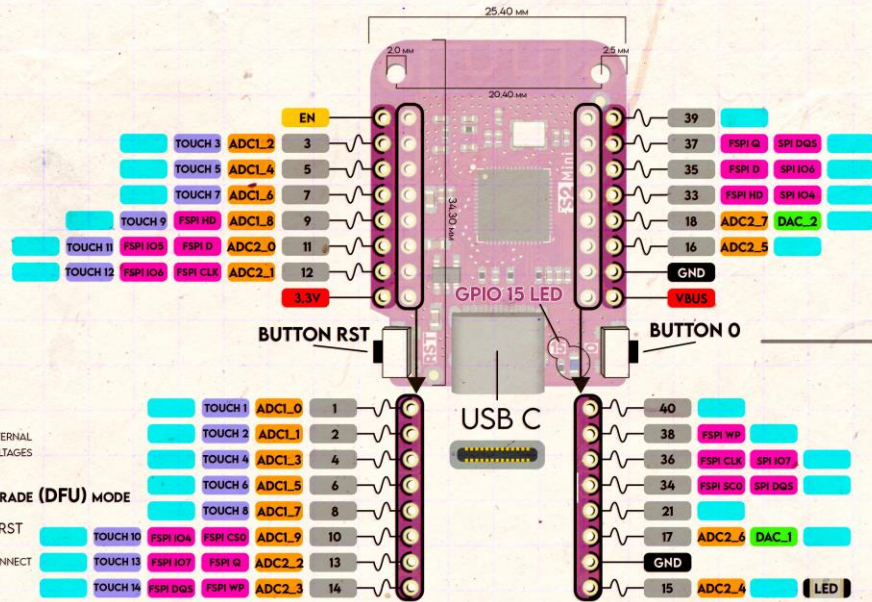
3.3V | 27 I/O PINS | 240MHZ | 4M FLASH | 2M PSRAM

- GPIO
- ADC
- DAC
- SPI
- TOUCH
- UART/I2C/PWM
(ALL GPIO PINS)
- PWM PIN

OPTIMAL ADC USE
 ADCs WORK BEST WITH AN EXTERNAL 100 nF CAPACITOR AND AT VOLTAGES BELOW 2.450V.

DEVICE FIRMWARE UPGRADE (DFU) MODE

- HOLD BUTTON 0
 - SHORT-PRESS BUTTON RST
 - RELEASE BUTTON 0
- YOU SHOULD HEAR THE USB CONNECT SOUND FROM YOUR COMPUTER.



OUTSIDE PINS

INSIDE PINS



CHART MADE FOR
OPROSTHETICS.ORG

9-23-2022
 VER 1 REV 5

